

# NLS-FM100-M

## Fixed Mount Barcode Scanner



Designed for OEM applications, this high performance fixed mount barcode scanner can easily be integrated into various solutions such as kiosks, ticketing machines, (reverse) vending machines and many more.

### Product Features

- **Ease of integration**

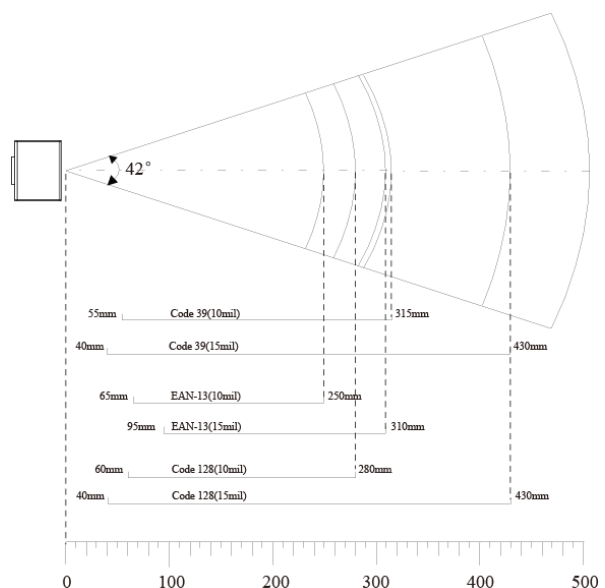
Compact and easy to integrate design. The small form factor enables easy integration into various solutions. The NLS-FM100-M has an IP54 rating meaning it is dust -and water resistant.

- **Advanced Technology**

Armed with core technology **UIMG<sup>®</sup>**, which is independently designed and manufactured by Newland Auto-ID.

**UIMG<sup>®</sup>** technology includes the optical, CMOS, digitizer, decoder, image processing & embedded systems. The scanner supports all global standard 1D barcode symbologies. Its reading performance exceeds global standards. By using the accessories provided, the user can ideally set up the scanner to its user environment.

### Decode Zone



## NLS-FM100-M Specifications

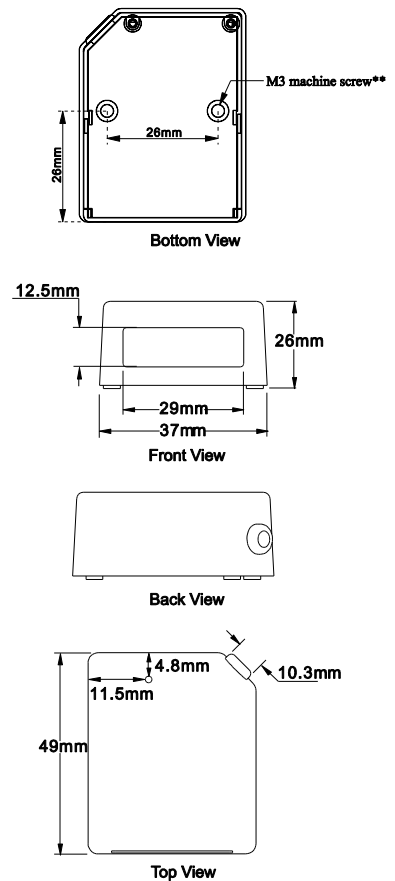
Performance		
Image Sensor	Linear imager	
Resolution	2500	
Interface	RS232, USB 1.1	
Symbologies	Code128, EAN-13, EAN-8, Code39, UPC-A, UPC-E, Codabar, Interleaved 2 of 5, ISBN/ISSN, Code 93, UCC/EAN-128, GS1Databar, etc.	
Precision	≥ 5mil( Condition: PCS=0.9, testing code: Code 39)	
Depth of Scan Field	40mm-430mm	
Print Contrast Signal	≥ 30%	
Sensitivity**	Pitch	±65°@ 0°Roll and 0° Skew
	Roll	±30°@ 0°Pitch and 0° Skew
	Skew	±60°@ 0°Roll and 0° Pitch
Illumination	0 ~ 100,000 LUX	
Light Source	LED(622 nm - 628 nm)	
Light Intensity	265 LUX (130 mm )	
Mechanical/ Electrical		
Power Consumption	1.25W	
Voltage	DC 5 V	
Current	Max	250 mA
	Working	170mA
	Idle	65mA
Dimensions	49.0 *37.0 * 26.0 mm	
Weight	70 g	
Environment		
Operate Temperature	-5°C - +45°C	
Storage Temperature	-40°C - +60°C	
Humidity	5% - 95% ( non-condensing)	
Certificates		
FCC Part15 Class B, CE EMC Class B		
Accessories		
Cable	RS232 Cable	Equipped with a power connector; used to connect the NLS- FM100-M to a host device.
	USB Cable	Used to connect the NLS-FM100-M to a host device.
Power Adapter	Used to provide power for the NLS-FM100-M. Output: DC 5V, 2A; Input: AC100~240V, 50~60HZ.	

\*\*Test Conditions:

Code39: 3 Bytes ; Resolution = 10mil; W:N = 3:1 ; PCS = 0.8 ;

Barcode Height = 11mm; Distance = 120mm; T=23°C; Illumination= 200 LUX

## Dimensions (Unit: mm)



\*\*Note: The length of the screw into FM100 must be less than 5 mm.

## Contact Us

**Newland China**  
+86-400-608-0591  
marketing@nlscan.com

**Newland Europe**  
+31(0)-345-87-0033  
info@newland-id.com

**Newland Taiwan**  
+886-2-7731-5388  
info@newland-id.com.tw

**Newland North America**  
+1-510-490-3888  
info@newlandna.com